

HIGH PERFORMANCE BALL VALVES

H-6800 SERIES



H-6800 FEATURES

- On/off-service ball valve with 2-way pattern
- Diverter-service ball valve with 3-way pattern
- Stainless Steel and Brass construction
- MAWP* 6000 psi (410 bar)
- MAWT* 500°F (260°C)
- Variable end connection types and sizes from 1/16" to 3/4" (3mm to 18mm)
- Operation with colored Nylon handles, metal handle color anodized aluminum ISLT** (locking device) handles and pneumatically actuated

* Maximum Allowed Working Pressure, Maximum Allowed Working Temperature.
 ** ISLT – Integral Safety Lock-out Tag-out Patent pending

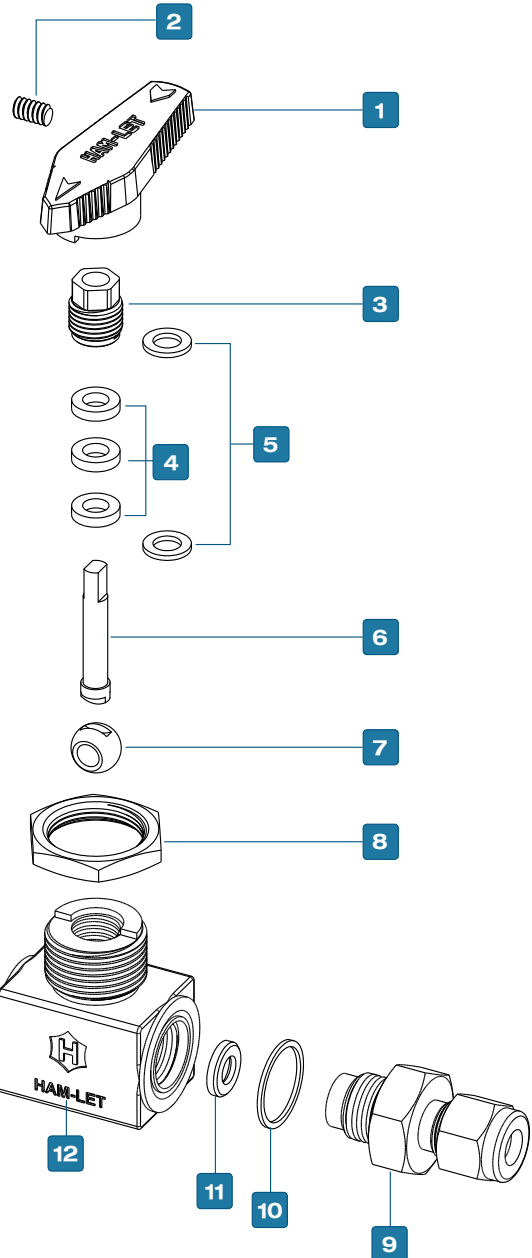
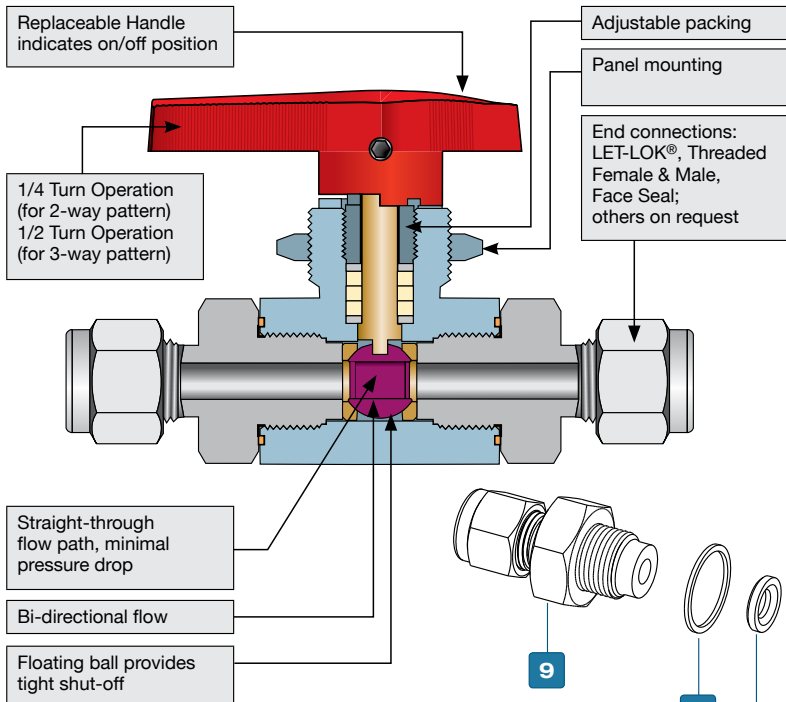
GENERAL

The H-6800 Series is a high-performance instrumentation ball valve for general service and instrumentation panels. The valves offer tight shutoff*, long-life service and low operating torque. The H-6800 Series is rated to max. 6000psig and performs on/off or diverter service.

*3-Way H-6800 is designed for diverting only and not for shutoff service. Inlet is from the bottom only. 3-Way H-6800 is designed to be fully opened to any of the side ports.

MATERIAL OF CONSTRUCTION

No.	Part	Qty	Maximum allowed working pressure	
			Up to 3000 psig	Up to 6000 psig
1	Handle	1	Nylon / Metal / ISLT	Nylon / Metal / ISLT
2	Handle Set Screw	1	St.St.304	St.St.304
3	Packing Bolt	1	St.St.316	St.St.316
4	Packing	3	Virgin PTFE	PTFE / PEEK
5	Gland	2	St.St.304	St.St.304
6	Stem	1	St.St.316	St.St.316
7	Ball	1	St.St.316	St.St.316
8	Panel Nut	1	St.St.303 / Brass	St.St.303
9	End Cap	2	St.St.316 / Brass	St.St.316
10	Body Seal	2	Virgin PTFE	PTFE / PEEK
11	Seat	2	TFM® 1600	PCTFE / PEEK
12	Body	1	St.St. ASTM A351 Gr.CF8M Brass ASTM B-16	St.St. ASTM A-276



TESTING

The H-6800 design has been tested for Burst and Proof. Standard testing for each H-6800 valve includes testing with nitrogen at 80 & 1000PSig. Each valve is tested for leakage through the shell, packing and ball seats. The maximum allowable leakage across the ball seats is 0.1 std cc/min.

CLEANING & PACKAGING

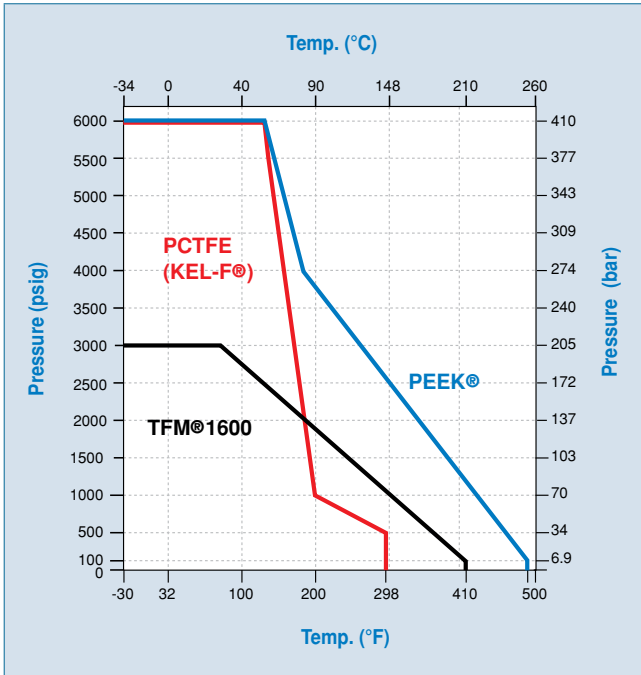
HAM-LET's H-6800 Ball Valve is treated with HAM-LET Passivation Cleaning and Packaging Procedure 8075. Oxygen Cleaning and Packaging Procedure 8055 is available as an option.

Cleaning and packaging procedures 8075 and 8055 are available for reference on HAM-LET website.

PACKING ADJUSTMENT

Due to the varied service applications of the valve, packing adjustment may be occasionally necessary. Packing is factory adjusted to 1000 psig service. Initial adjustment is recommended after installation and prior to start-up. Please find more information in the installation instruction chapter. HAM-LET Ball Valves are designed for operation in the fully closed or fully open position.

PRESSURE TEMPERATURE RATINGS



BODY & SEAT MATERIAL COMBINATIONS

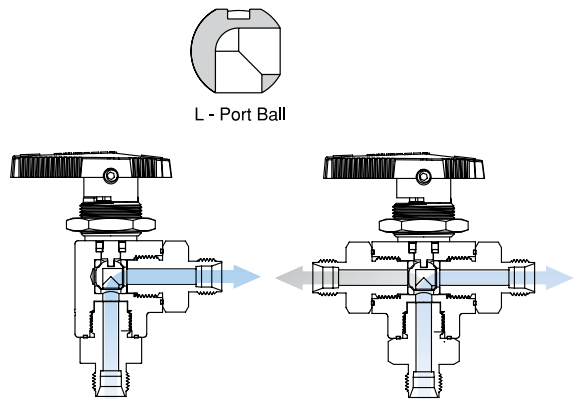
Body Material	MAWP*	MAWT**	Seat Material
St.St. ASTM A351 Gr. CF8M	3000psi (206bar)	410 F (210 C)	TFM1600®
St.St. ASTM A-276	6000psi (410bar)	500 F (260 C)	PEEK
St.St. ASTM A-276	6000psi (410bar)	284 F (140 C)	PCTFE
Brass ASTM B-16	3000psi (206bar)	410 F (210 C)	TFM 1600®

For other body and seat combinations, please contact our customer service.

* Maximum Allowed Working Pressure.

** Maximum Allowed Working Temperature.

ANGLE AND 3-WAY VALVE



NOTE: Bottom entry only

NOTE: Bottom entry only

SEAT MATERIAL CHARACTERISTICS

TFM1600

Excellent seat material for purity applications. Very low residual material during operation. Lower deformation ratio than PTFE, but higher pressure and temperature ratings than PTFE. Rated up to 410°F (210°C). Chemical resistance equal to PTFE material.

PCTFE (Kel-F®)

Excellent seat material for low temperature applications such as Oxygen and Nitrogen. Suitable for low temperature applications down to -40°C (-40°F).

PEEK (PolyEtherEtherKeton)

Excellent seat material for high-pressure and high-temperature applications. Excellent chemical resistance. Can be used continuously to 500°F (260°C) and in hot water or steam without permanent loss in physical properties. High strength for hostile environment and high pressure.

MANUAL OPERATION

S - Black Handle*

B - Blue Handle

R - Red Handle

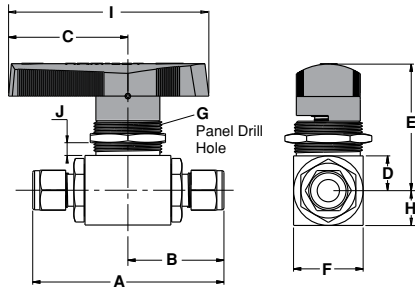
G - Green Handle

Y - Yellow Handle

Metal Handle

*Black Nylon Handle with brass insert is standard.

STRAIGHT PORT VALVE



STRAIGHT PORT, STANDARD CONFIGURATION DIMENSIONS

Size	End Connection		Orifice		Cv	A		B		C		D		E		F		G		H		I*		J**	
	mm	inch	mm	inch		mm	in	mm	in	mm	in	mm	in	mm	in	mm	in	mm	in	mm	in	mm	in	mm	in
1/16"	Let-Lok® Inch	1.3 0.051		0.1	70.2	2.76	35.1	1.38	31.0	1.22	11.1	0.44	38.85	1.53	22.2	0.87	19.3	0.76	11.1	0.44	50.0	1.96	6.5	0.255	
1/8"		2.4 0.094		0.2	78.6	3.09	39.3	1.55	31.0	1.22	11.1	0.44	38.85	1.53	22.2	0.87	19.3	0.76	11.1	0.44	50.0	1.96	6.5	0.255	
1/4"		4.8 0.189		2.4	83.6	3.29	41.8	1.65	31.0	1.22	11.1	0.44	38.85	1.53	22.2	0.87	19.3	0.76	11.1	0.44	50.0	1.96	6.5	0.255	
3/8"		4.8 0.189		1.5	86.3	3.40	43.15	1.70	31.0	1.22	11.1	0.44	38.85	1.53	22.2	0.87	19.3	0.76	11.1	0.44	50.0	1.96	6.5	0.255	
1/2"		10.3 0.409		12	102.5	4.04	51.25	2.02	50.0	1.97	16.0	0.63	50.0	1.97	32.0	1.26	20.8	0.82	16.0	0.63	80.0	3.15	6.5	0.255	
3/4"		10.3 0.409		6.5	102.5	4.04	51.25	2.02	50.0	1.97	16.0	0.63	50.0	1.97	32.0	1.26	20.8	0.82	16.0	0.63	80.0	3.15	6.5	0.255	
3mm	Let-Lok® Metric	2.4 0.094		0.2	78.6	3.09	39.3	1.55	31.0	1.22	11.1	0.44	38.85	1.53	22.2	0.87	19.3	0.76	11.1	0.44	50.0	1.96	6.5	0.255	
6mm		4.8 0.189		2.4	83.6	3.29	41.8	1.65	31.0	1.22	11.1	0.44	38.85	1.53	22.2	0.87	19.3	0.76	11.1	0.44	50.0	1.96	6.5	0.255	
8mm		4.8 0.189		1.5	84.8	3.34	42.4	1.67	31.0	1.22	11.1	0.44	38.85	1.53	22.2	0.87	19.3	0.76	11.1	0.44	50.0	1.96	6.5	0.255	
10mm		4.8 0.189		1.5	86.4	3.40	43.2	1.70	31.0	1.22	11.1	0.44	38.85	1.53	22.2	0.87	19.3	0.76	11.1	0.44	50.0	1.96	6.5	0.255	
12mm		10.3 0.409		12	102.5	4.04	51.25	2.02	50.0	1.97	16.0	0.63	50.0	1.97	32.0	1.26	20.8	0.82	16.0	0.63	80.0	3.15	6.5	0.255	
18mm		10.3 0.409		6.5	102.5	4.04	51.25	2.02	50.0	1.97	16.0	0.63	50.0	1.97	32.0	1.26	20.8	0.82	16.0	0.63	80.0	3.15	6.5	0.255	
1/8"	Female NPT/ BSPT	4.8 0.189		1.2	63.6	2.50	31.8	1.25	31.0	1.22	11.1	0.44	38.85	1.53	22.2	0.87	19.3	0.76	11.1	0.44	50.0	1.96	6.5	0.255	
1/4"		4.8 0.189		0.9	64.0	2.52	32.0	1.26	31.0	1.22	11.1	0.44	38.85	1.53	22.2	0.87	19.3	0.76	11.1	0.44	50.0	1.96	6.5	0.255	
3/8"		4.8 0.189		0.6	69.6	2.74	34.8	1.37	31.0	1.22	11.1	0.44	38.85	1.53	22.2	0.87	19.3	0.76	11.1	0.44	50.0	1.96	6.5	0.255	
1/2"		10.3 0.409		6.3	87.4	3.44	43.7	1.72	50.0	1.97	16.0	0.63	50.0	1.97	32.0	1.26	20.8	0.82	16.0	0.63	80.0	3.15	6.5	0.255	
3/4"		10.3 0.409		3.8	91.0	3.58	45.5	1.79	50.0	1.97	16.0	0.63	50.0	1.97	32.0	1.26	20.8	0.82	16.0	0.63	80.0	3.15	6.5	0.255	
1/8"	Female BSPP	4.8 0.189		1.2	63.6	2.50	31.8	1.25	31.0	1.22	11.1	0.44	38.85	1.53	22.2	0.87	19.3	0.76	11.1	0.44	50.0	1.96	6.5	0.255	
1/4"		4.8 0.189		0.9	64.0	2.52	32.0	1.26	31.0	1.22	11.1	0.44	38.85	1.53	22.2	0.87	19.3	0.76	11.1	0.44	50.0	1.96	6.5	0.255	
3/8"		4.8 0.189		0.6	69.6	2.74	34.8	1.37	31.0	1.22	11.1	0.44	38.85	1.53	22.2	0.87	19.3	0.76	11.1	0.44	50.0	1.96	6.5	0.255	
1/2"		10.3 0.409		6.3	87.4	3.44	43.7	1.72	50.0	1.97	16.0	0.63	50.0	1.97	32.0	1.26	20.8	0.82	16.0	0.63	80.0	3.15	6.5	0.255	
3/4"		10.3 0.409		3.5	91.0	3.58	45.5	1.79	50.0	1.97	16.0	0.63	50.0	1.97	32.0	1.26	20.8	0.82	16.0	0.63	80.0	3.15	6.5	0.255	
1/8"	Male NPT/ BSPT	4.8 0.189		1.5	67.6	2.66	33.8	1.33	31.0	1.22	11.1	0.44	38.85	1.53	22.2	0.87	19.3	0.76	11.1	0.44	50.0	1.96	6.5	0.255	
1/4"		4.8 0.189		1.2	76.6	3.02	38.3	1.51	31.0	1.22	11.1	0.44	38.85	1.53	22.2	0.87	19.3	0.76	11.1	0.44	50.0	1.96	6.5	0.255	
3/8"		4.8 0.189		0.9	76.6	3.02	38.3	1.51	31.0	1.22	11.1	0.44	38.85	1.53	22.2	0.87	19.3	0.76	11.1	0.44	50.0	1.96	6.5	0.255	
1/2"		10.3 0.409		8.2	92.4	3.64	46.2	1.82	50.0	1.97	16.0	0.63	50.0	1.97	32.0	1.26	20.8	0.82	16.0	0.63	80.0	3.15	6.5	0.255	
3/4"		10.3 0.409		4.5	94.4	3.71	47.2	1.86	50.0	1.97	16.0	0.63	50.0	1.97	32.0	1.26	20.8	0.82	16.0	0.63	80.0	3.15	6.5	0.255	
1/8"	Male BSPP	4.8 0.189		1.5	65.4	2.57	32.7	1.29	31.0	1.22	11.1	0.44	38.85	1.53	22.2	0.87	19.3	0.76	11.1	0.44	50.0	1.96	6.5	0.255	
1/4"		4.8 0.189		1.2	76.6	3.02	38.3	1.51	31.0	1.22	11.1	0.44	38.85	1.53	22.2	0.87	19.3	0.76	11.1	0.44	50.0	1.96	6.5	0.255	
3/8"		4.8 0.189		0.9	76.6	3.02	38.3	1.51	31.0	1.22	11.1	0.44	38.85	1.53	22.2	0.87	19.3	0.76	11.1	0.44	50.0	1.96	6.5	0.255	
1/2"		10.3 0.409		8.2	92.4	3.64	46.2	1.82	50.0	1.97	16.0	0.63	50.0	1.97	32.0	1.26	20.8	0.82	16.0	0.63	80.0	3.15	6.5	0.255	
3/4"		10.3 0.409		4.5	94.4	3.71	47.2	1.86	50.0	1.97	16.0	0.63	50.0	1.97	32.0	1.26	20.8	0.82	16.0	0.63	80.0	3.15	6.5	0.255	
1/4"	Face Seal Male	4.5 0.18		2.4	75.0	2.95	37.5	1.47	31.0	1.22	11.1	0.44	38.85	1.53	22.2	0.87	19.3	0.76	11.1	0.44	50.0	1.96	6.5	0.255	
1/2"		10.3 0.409		12	93.8	3.69	46.9	1.85	50.0	1.97	16.0	0.63	50.0	1.97	32.0	1.26	20.8	0.82	16.0	0.63	80.0	3.15	6.5	0.255	

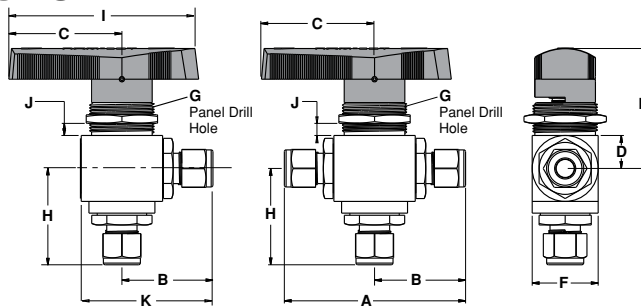
Face to face dimensions for LET-LOK® end connections (dimensions A and B) are finger tight.

* Refers to standard nylon handle.

** Maximum panel thickness.

Dimensions are for reference only, and are subject to change.

ANGLE & 3-PORT VALVE

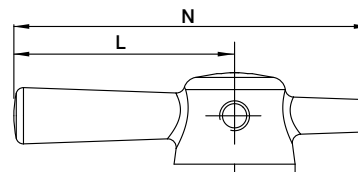


ANGLE & 3-PORT, STANDARD CONFIGURATION DIMENSIONS

Size	End Connection		Orifice		Cv	A		K		B		C		D		E		F		G		H		I*		J**	
	mm	inch	mm	inch		mm	in	mm	in	mm	in	mm	in	mm	in	mm	in	mm	in	mm	in	mm	in	mm	in	mm	in
1/16"	Let-Lok® Inch	1.3	0.051	0.08	70.2	2.76	46.2	1.82	35.1	1.38	31.0	1.22	11.1	0.44	38.85	1.53	22.2	0.87	19.3	0.76	37.9	1.49	50.0	1.96	6.5	0.255	
1/8"		2.4	0.094	0.15	78.6	3.09	50.4	1.95	39.3	1.55	31.0	1.22	11.1	0.44	38.85	1.53	22.2	0.87	19.3	0.76	42.1	1.66	50.0	1.96	6.5	0.255	
1/4"		4.8	0.189	0.90	83.6	3.29	52.9	2.08	41.8	1.65	31.0	1.22	11.1	0.44	38.85	1.53	22.2	0.87	19.3	0.76	44.6	1.76	50.0	1.96	6.5	0.255	
3/8"		4.8	0.189	0.60	86.3	3.40	54.25	2.13	43.15	1.70	31.0	1.22	11.1	0.44	38.85	1.53	22.2	0.87	19.3	0.76	46.0	1.81	50.0	1.96	6.5	0.255	
1/2"		10.3	0.40	4.6	102.5	4.04	67.3	2.65	51.25	2.02	50.0	1.97	16.0	0.63	50.0	1.97	32.0	1.26	20.8	0.82	57.5	2.26	80.0	3.15	6.5	0.255	
3/4"		10.3	0.40	3.8	102.5	4.04	67.3	2.65	51.25	2.02	50.0	1.97	16.0	0.63	50.0	1.97	32.0	1.26	20.8	0.82	57.5	2.26	80.0	3.15	6.5	0.255	
3mm	Let-Lok® Metric	2.4	0.094	0.15	78.6	3.09	52.0	2.05	39.3	1.55	31.0	1.22	11.1	0.44	38.85	1.53	22.2	0.87	19.3	0.76	42.1	1.66	50.0	1.96	6.5	0.255	
6mm		4.8	0.189	0.90	83.6	3.29	52.8	2.08	41.8	1.65	31.0	1.22	11.1	0.44	38.85	1.53	22.2	0.87	19.3	0.76	44.6	1.76	50.0	1.96	6.5	0.255	
8mm		4.8	0.189	0.80	84.8	3.34	53.5	2.1	42.4	1.67	31.0	1.22	11.1	0.44	38.85	1.53	22.2	0.87	19.3	0.76	45.2	1.78	50.0	1.96	6.5	0.255	
10mm		4.8	0.189	0.60	86.4	3.40	54.3	2.14	43.2	1.70	31.0	1.22	11.1	0.44	38.85	1.53	22.2	0.87	19.3	0.76	46.0	1.81	50.0	1.96	6.5	0.255	
12mm		10.3	0.40	4.6	102.5	4.04	67.3	2.65	51.25	2.02	50.0	1.97	16.0	0.63	50.0	1.97	32.0	1.26	20.8	0.82	57.5	2.11	80.0	3.15	6.5	0.255	
18mm		10.3	0.40	2.5	102.5	4.04	67.3	2.65	51.25	2.02	50.0	1.97	16.0	0.63	50.0	1.97	32.0	1.26	20.8	0.82	57.5	1.19	80.0	3.15	6.5	0.255	
1/8"	Female NPT/ BSPT	4.8	0.189	0.3	63.6	2.50	42.9	1.7	32.0	1.26	31.0	1.22	11.1	0.44	38.85	1.53	22.2	0.87	19.3	0.76	34.6	1.36	50.0	1.96	6.5	0.255	
1/4"		4.8	0.189	0.75	64.0	2.52	43.1	1.69	31.8	1.25	31.0	1.22	11.1	0.44	38.85	1.53	22.2	0.87	19.3	0.76	34.8	1.37	50.0	1.96	6.5	0.255	
3/8"		4.8	0.189	0.5	69.6	2.74	45.9	1.8	34.8	1.37	31.0	1.22	11.1	0.44	38.85	1.53	22.2	0.87	19.3	0.76	37.6	1.48	50.0	1.96	6.5	0.255	
1/2"		10.3	0.40	3.5	87.4	3.44	59.7	2.35	43.7	1.72	50.0	1.97	16.0	0.63	50.0	1.97	32.0	1.26	20.8	0.82	50.0	1.97	80.0	3.15	6.5	0.255	
3/4"		10.3	0.40	2.5	91.0	3.58	61.5	2.42	45.5	1.79	50.0	1.97	16.0	0.63	50.0	1.97	32.0	1.26	20.8	0.82	50.0	1.97	80.0	3.15	6.5	0.255	
1/8"	Female BSPP	4.8	0.189	0.3	63.6	2.50	42.9	1.7	32.0	1.26	31.0	1.22	11.1	0.44	38.85	1.53	22.2	0.87	19.3	0.76	34.6	1.36	50.0	1.96	6.5	0.255	
1/4"		4.8	0.189	0.75	64.0	2.52	43.1	1.69	31.8	1.25	31.0	1.22	11.1	0.44	38.85	1.53	22.2	0.87	19.3	0.76	34.8	1.37	50.0	1.96	6.5	0.255	
3/8"		4.8	0.189	0.5	69.6	2.74	45.9	1.8	34.8	1.37	31.0	1.22	11.1	0.44	38.85	1.53	22.2	0.87	19.3	0.76	37.6	1.48	50.0	1.96	6.5	0.255	
1/2"		10.3	0.40	3.5	87.4	3.44	59.7	2.35	43.7	1.72	50.0	1.97	16.0	0.63	50.0	1.97	32.0	1.26	20.8	0.82	50.0	1.97	80.0	3.15	6.5	0.255	
3/4"		10.3	0.40	2.5	91.0	3.58	61.5	2.42	45.5	1.79	50.0	1.97	16.0	0.63	50.0	1.97	32.0	1.26	20.8	0.82	50.0	1.97	80.0	3.15	6.5	0.255	
1/8"	Male NPT/ BSPT	4.8	0.189	0.9	67.6	2.66	44.9	1.76	33.8	1.33	31.0	1.22	11.1	0.44	38.85	1.53	22.2	0.87	19.3	0.76	36.6	1.44	50.0	1.96	6.5	0.255	
1/4"		4.8	0.189	0.6	76.6	3.02	49.4	1.94	38.3	1.51	31.0	1.22	11.1	0.44	38.85	1.53	22.2	0.87	19.3	0.76	41.1	1.62	50.0	1.96	6.5	0.255	
3/8"		4.8	0.189	0.35	76.6	3.02	49.4	1.94	38.3	1.51	31.0	1.22	11.1	0.44	38.85	1.53	22.2	0.87	19.3	0.76	41.1	1.62	50.0	1.96	6.5	0.255	
1/2"		10.3	0.40	3.0	92.4	3.64	62.2	2.45	46.2	1.82	50.0	1.97	16.0	0.63	50.0	1.97	32.0	1.26	20.8	0.82	52.5	2.07	80.0	3.15	6.5	0.255	
3/4"		10.3	0.40	2.0	94.4	3.71	63.2	2.49	47.2	1.86	50.0	1.97	16.0	0.63	50.0	1.97	32.0	1.26	20.8	0.82	53.5	2.1	80.0	3.15	6.5	0.255	
1/8"	Male BSPP	4.8	0.189	0.9	65.4	2.57	43.8	1.72	32.7	1.29	31.0	1.22	11.1	0.44	38.85	1.53	22.2	0.87	19.3	0.76	36.6	1.44	50.0	1.96	6.5	0.255	
1/4"		4.8	0.189	0.6	76.6	3.02	49.4	1.94	38.3	1.51	31.0	1.22	11.1	0.44	38.85	1.53	22.2	0.87	19.3	0.76	41.1	1.62	50.0	1.96	6.5	0.255	
3/8"		4.8	0.189	0.35	76.6	3.02	49.4	1.94	38.3	1.51	31.0	1.22	11.1	0.44	38.85	1.53	22.2	0.87	19.3	0.76	41.1	1.62	50.0	1.96	6.5	0.255	
1/2"		10.3	0.40	3.0	92.4	3.64	62.2	2.45	46.2	1.82	50.0	1.97	16.0	0.63	50.0	1.97	32.0	1.26	20.8	0.82	52.5	2.07	80.0	3.15	6.5	0.255	
3/4"		10.3	0.40	2.0	94.4	3.71	63.2	2.49	47.2	1.86	50.0	1.97	16.0	0.63	50.0	1.97	32.0	1.26	20.8	0.82	53.5	2.1	80.0	3.15	6.5	0.255	
1/4"	Face Seal Male	4.5	0.18	0.9	75.0	2.95	48.6	1.91	37.5	1.47	31.0	1.22	11.1	0.44	38.85	1.53	22.2	0.87	19.3	0.76	40.3	1.58	50.0	1.96	6.5	0.255	
1/2"		10.3	0.40	4.6	93.8	3.69	62.9	2.47	46.9	1.85	50.0	1.97	16.0	0.63	50.0	1.97	32.0	1.26	20.8	0.82	53.2	2.09	80.0	3.15	6.5	0.255	

DIMENSIONS FOR METAL HANDLE

VALVE ENDS	Handle Designator	N	L
Up to 3/8 ends	M	50 MM	31 MM
Up to 3/8 ends	M7	70 MM	45 MM
From 1/2 to 3/4 ends	M	110 MM	80 MM



See Ordering Information

ISLT



Integral Safety
LockOut-TagOut Device

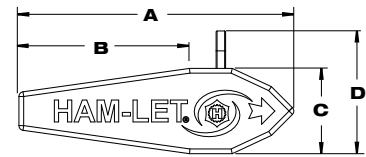
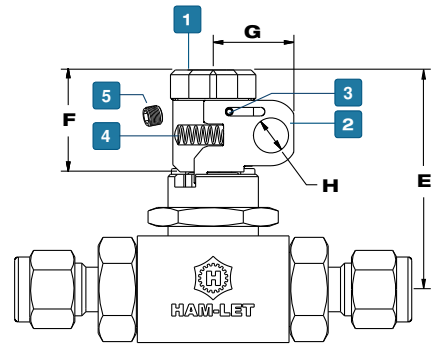


GENERAL

The integral locking mechanism enables safe and easy-to-use solutions for valve position locking and tagging. The design prevents undesirable valve position changes, even if no locking equipment is used. Available for 2-way straight and angle pattern in locked-open and locked-closed positions. For 3-way pattern valves, the ISLT handle allows locking in left and right positions.

ISLT DEVICE CONSTRUCTION

No.	Part	Qty	Material
1	Handle	1	Aluminum anodized
2	Latch	1	St.St.304
3	Pin	1	St.St.304
4	Spring	1	St.St.302
5	Set Screw	1	St.St.304



H-6800 ISLT HANDLE - DIMENSIONS

VALVE SIZE	A		B		C		D		E		F		G		H	
	inch	mm	inch	mm	inch	mm	inch	mm	inch	mm	inch	mm	inch	mm	inch	mm
1/16" to 3/8"	2.28	58.0	1.18	30.0	0.71	18.0	1.06	26.0	1.82	46.3	0.85	21.5	0.67	17.0	0.28	7.2
1/2" to 3/4"	4.28	108.7	2.76	70.2	1.1	28.0	1.59	39.0	2.70	68.7	1.3	33.0	0.98	25.0	0.37	9.50

ISLT-Locking Device Al6061 Anodized Handle (St.St. internal components)
For color selection, please see ordering information on page 8.

- ISLTS** - ISLT Black
- ISLTB** - ISLT Blue
- ISLTR** - ISLT Red
- ISLTG** - ISLT Green
- ISLTY** - ISLT Yellow

For ordering handle type or kit use the ordering information.



H-6800 - PNEUMATIC ACTUATED VALVES

FEATURES

- 90° Actuation for 2-way valves (Straight & Angle)
- Actuators comply with industry standards for interface with ISO 5211, NAMUR and VDI/VDE 3845
- Actuated valves are available factory assembled or separately, actuator and mounting kits
- Limit switches, proximity sensors, position indicators, pilot valves and other accessories are available upon request
- Standard Temperature range: -32°C to 90°C (-25.6°F to 194°F)
Optional: High Temperature, Low Temperature

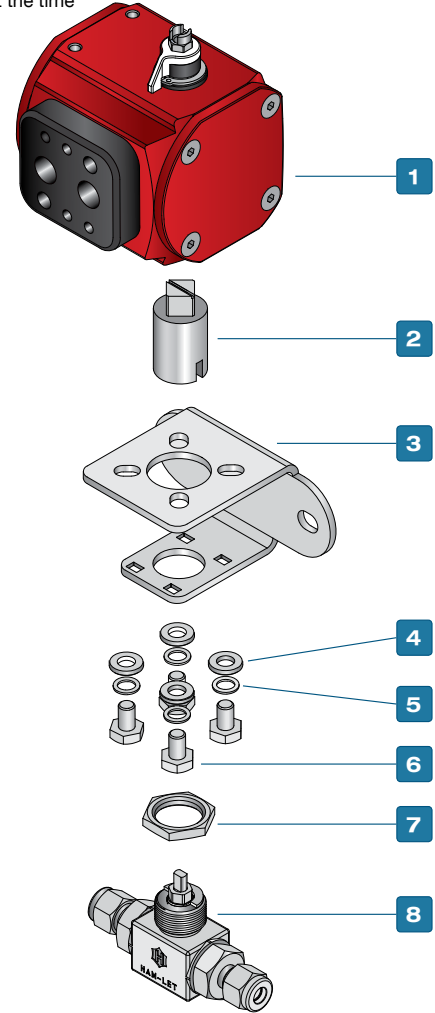
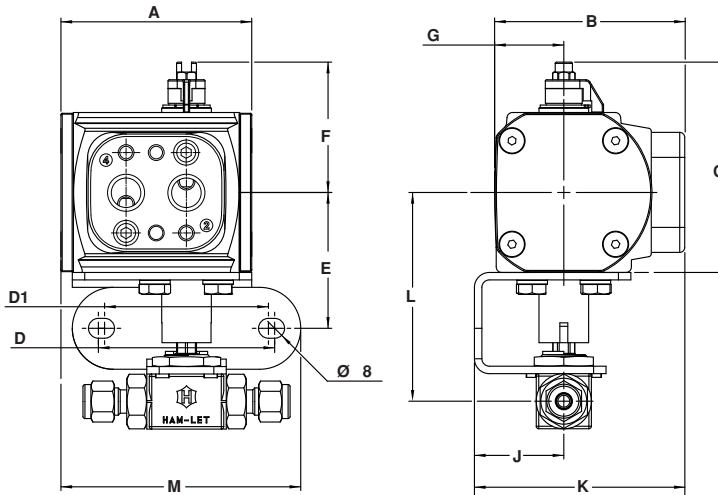
GENERAL

Four standard actuator sizes are available upon request: Mini (designator "A1"), Small (designator "A2"), Medium (designator "A3"), and Large (designator "A4"). Improved operational speed enables better valve opening and closing control. ATEX certification of Valves-Actuators' assemblies are available on request at the time of order quotation.

MATERIAL OF CONSTRUCTION			
No.	Part	Qty	Material
1	Actuator	1	AL 356-T5
2	Coupling	1	St.St.316
3	Bracket	1	St.St.304
4	Washer Flat	4	St.St.304
5	Washer Spring	4	St.St.304
5	Screw	4	St.St.304
6	Panel Nut	1	St.St.316
7	H6800	1	St.St.316 / Brass *

* Body material: St.St. ASTM A-276; St.St. ASTM A351 Gr. CF8M; Brass ASTM B-16

STANDARD CONFIGURATION DIMENSIONS



Series	Body Designator	Ends Size	Seats Material	Actuator Model	Units	A	B	C	D	D1	E	F	G	J	K	L	M	
						mm	inch	mm	inch	mm	inch	mm	inch	mm	inch	mm	inch	mm
H-6800	1/4"	1/16"-3/8" (3mm-10mm)	TFM 1600	SR	A1S	mm	96.5	76.1	84.1	71	66	59.7	51.8	27.9	35	83.2	88.5	116.2
						inch	3.8	3.0	3.31	2.8	2.6	2.35	2.04	1.1	1.38	3.27	3.48	4.57
				DA	A1	mm	76.8	76.1	84.1	71	66	54.7	51.8	27.9	35	83.2	88.5	96.6
			inch	3.02	3.0	3.31	2.8	2.6	2.15	2.04	1.1	1.38	3.27	3.48	3.8			
			TFM 1600	SR	A1S	mm	96.5	76.1	84.1	71	66	59.7	51.8	27.9	35	83.2	93.2	116.2
						inch	3.8	3.0	3.31	2.8	2.6	2.35	2.04	1.1	1.38	3.27	3.67	4.57
	DA	A1		mm	76.8	76.1	84.1	71	66	54.7	51.8	27.9	35	83.2	93.2	96.6		
	inch	3.02	3.0	3.31	2.8	2.6	2.15	2.04	1.1	1.38	3.27	3.67	3.8					
	PCTFE PEEK	SR	A2S	mm	140.2	76.1	88.6	71	66	59.7	51.8	27.9	35	83.2	97.7	x		
				inch	5.52	3.0	3.49	2.8	2.6	2.35	2.04	1.1	1.38	3.27	3.85	x		
				DA	A2	mm	101	76.1	88.6	71	66	54.7	51.8	27.9	35	83.2	97.7	x
		inch	3.97	3.0	3.49	2.8	2.6	2.15	2.04	1.1	1.38	3.27	3.85	x				



ACTUATED H-6800 SERIES

H-6800 High Performance Ball Valves features, materials of construction, and technical data are available in Ham-Let valves catalog.

Selection of Valve-Actuator assemblies provided herein is based on:

- Valve maximum allowable working pressure
- Ambient temperature (50 to 100°F / 10 to 37°C)
- Actuator fits to valve based on operating pressure of 6 bar, as per table.

To order H-6800 ball valve factory assembled with an actuator, add the actuator designator to the valve part number / description per the below table.

For example:

H-6800-SS-L-1/4-PSS with standard Double Acting Aluminum Actuator

H-6800-SS-L-1/4-PS-A1

To order an actuator and mounting kit for field assembly:

Double acting Actuator ordering number: Z-A1

Corresponding mounting kit: Z-6800-MK-1/4-F03-F04



Table 1: Ordering information for Actuated Valves

Series	Ends Size	Seats	Minimum Actuator Operating Pressure Bar (Psi)	Actuator Designators (Factory assembled)			Actuator Ordering Code		Mounting Kit Ordering Info
				Spring Return		Double Acting	Spring Return	Double Acting	
				NO	NC				
H-6800	1/16"-3/8" (3mm-10mm)	TFM 1600	5 (72.5)	A1O	A1C	A1	Z-A1S	Z-A1	Z-6800-MK-1/4"-F03-F04
		PCTFE	5 (72.5)	A1O	A1C	A1	Z-A1S	Z-A1	Z-6800-MK-1/4"-F03-F04
		PEEK	5 (72.5)	A1O	A1C	A1	Z-A1S	Z-A1	Z-6800-MK- 1/4"-F03-F04
	1/2"-3/4" (12mm-18mm)	TFM 1600	5 (72.5)	A1O	A1C	A1	Z-A1S	Z-A1	Z-6800-MK-1/2"-F03-F04
		PCTFE	5 (72.5)	A2O	A2C	A2	Z-A2S	Z-A2	Z-6800-MK-1/2"-F03-F04
		PEEK	5 (72.5)	A2O	A2C	A2	Z-A2S	Z-A2	Z-6800-MK-1/2"-F03-F04

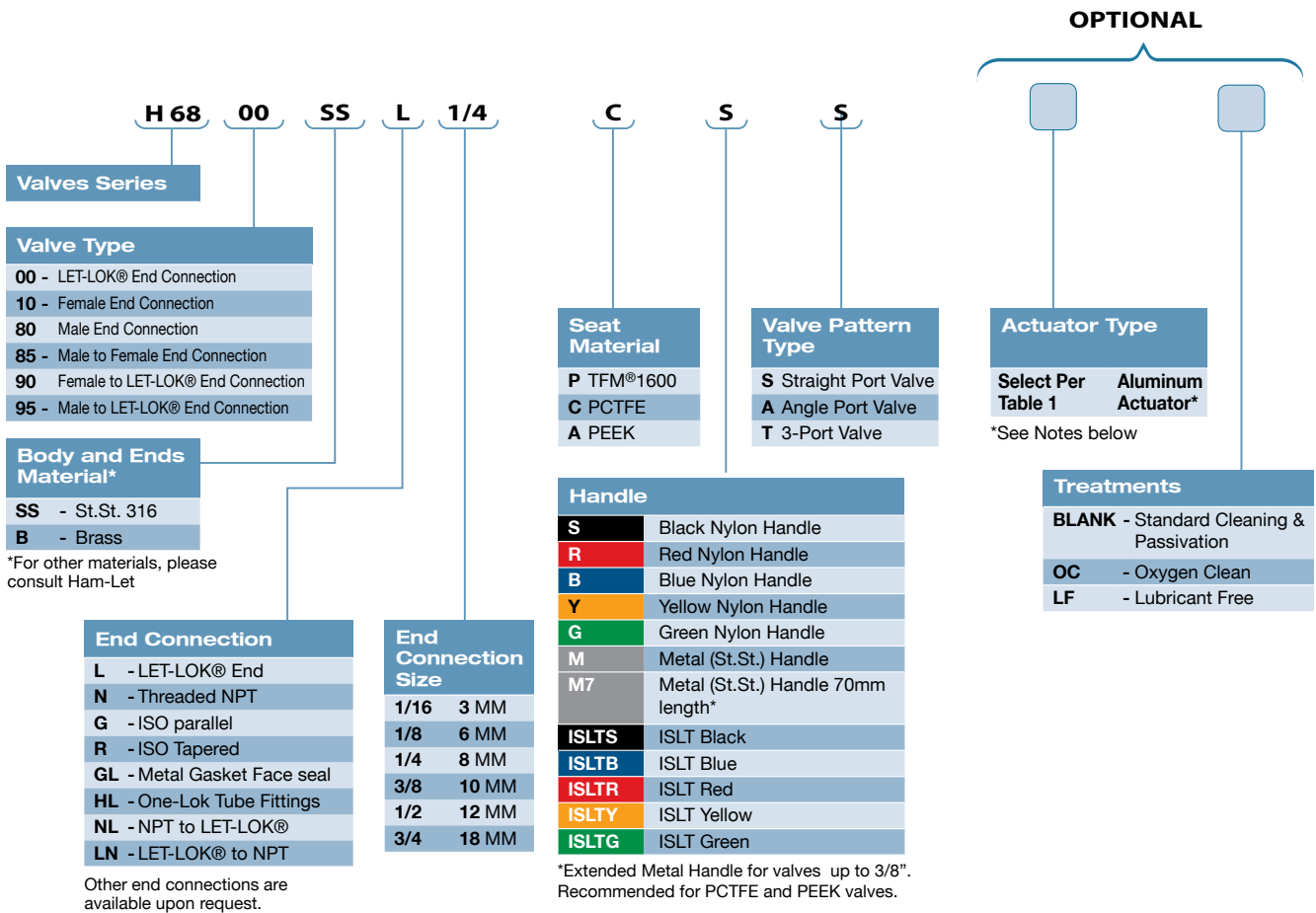
Ham-Let ISO 5211 mounting kits for H-6800 Series contain:

Part	Qty	Material
Coupling	1	St.St 316
Bracket	1	St.St 304
Screw	4	St.St 304
Washer spring	4	St.St 304
Washer flat	4	St.St 304
Panel nut	1	St.St 316
Mounting instructions	-	-

Note: Mounting Kit ordering Information describes interface per ISO 5211. for example: Z-6800-MK-1/2-F03-F04 complies with: ISO 5211 flange types F03-F04

Please contact your local representative for ordering information on Lubricant Free Actuated Valves

H-6800 SERIES ORDERING INFORMATION



For Actuated Valves

- If special cleaning is required, LF / OC will be added in the end and will refer to the Valve only.
For example: **H - 6800- SS - L- 1/4 - PS - A1 - OC**
- For ordering information of actuators for high temperature please refer to Ham-Let Pneumatic Actuator Catalog.
- For double mounting actuators, please contact your local representative.
- Actuators Accessories (Limit Switch, Solenoid Valve please refer to Ham-Let Pneumatic Actuator Catalog.
- For Stainless Steel Actuator or Electric Actuator please contact your local representative.

ORDERING INFORMATION FOR SPARE KITS

SEAL KIT

Seal Kit includes seats, stem packings, body seals and lable.

Z - 6800 - SK - 1/4 - A - 2 WAY

Kit Type	Body Designator per End Connection	Seat Material	Valve Pattern
SK Seal Kit	1/4 for: 1/16 to 3/8 3MM to 10MM 1/2 for: 1/2 to 3/4 12MM to 18MM	P TFM®1600 C PCTFE A PEEK	2 Way For straight and angle Valves 3 Way For T Port Valves

NOTE:

For Seal kits for "Old Design" valves, please contact Ham-Let representative.

HANDLE KIT

Handle kit includes handle and set screw. To order a spare-parts kit, use the following format:

Z - 6800 - HK - 1/4 - S

Kit Type	Body Designator per End Connection	Handle Type																								
HK Handle Kit	1/4 for: 1/16 to 3/8 3MM to 10MM 1/2 for: 1/2 to 3/4 12MM to 18MM	<table border="1"> <tr><td>S</td><td>Black Nylon Handle</td></tr> <tr><td>R</td><td>Red Nylon Handle</td></tr> <tr><td>B</td><td>Blue Nylon Handle</td></tr> <tr><td>Y</td><td>Yellow Nylon Handle</td></tr> <tr><td>G</td><td>Green Nylon Handle</td></tr> <tr><td>M</td><td>Metal (St.St.) Handle</td></tr> <tr><td>M7</td><td>Metal St.St Handle 70 mm</td></tr> <tr><td>ISLTS</td><td>ISLT Black</td></tr> <tr><td>ISLTB</td><td>ISLT Blue</td></tr> <tr><td>ISLTR</td><td>ISLT Red</td></tr> <tr><td>ISLTY</td><td>ISLT Yellow</td></tr> <tr><td>ISLTG</td><td>ISLT Green</td></tr> </table>	S	Black Nylon Handle	R	Red Nylon Handle	B	Blue Nylon Handle	Y	Yellow Nylon Handle	G	Green Nylon Handle	M	Metal (St.St.) Handle	M7	Metal St.St Handle 70 mm	ISLTS	ISLT Black	ISLTB	ISLT Blue	ISLTR	ISLT Red	ISLTY	ISLT Yellow	ISLTG	ISLT Green
S	Black Nylon Handle																									
R	Red Nylon Handle																									
B	Blue Nylon Handle																									
Y	Yellow Nylon Handle																									
G	Green Nylon Handle																									
M	Metal (St.St.) Handle																									
M7	Metal St.St Handle 70 mm																									
ISLTS	ISLT Black																									
ISLTB	ISLT Blue																									
ISLTR	ISLT Red																									
ISLTY	ISLT Yellow																									
ISLTG	ISLT Green																									

Warning

Select the right component for safety's sake: The total design of the system must be taken into consideration when selecting components in order to ensure that your HAM-LET products provide safe, trouble-free operation. It is the responsibility of the system designer and the user to consider the compatibility of the materials, of the components and system, the function of the component, appropriate ratings and to ensure proper installation, operation and maintenance.

Improper selection or use of products can cause property damage or personal injury, in respect of which the system designer and/or the user shall be solely liable and responsible.