

# THREE-PIECE BALL VALVES

## H-500 SERIES



**H-500 FEATURES**

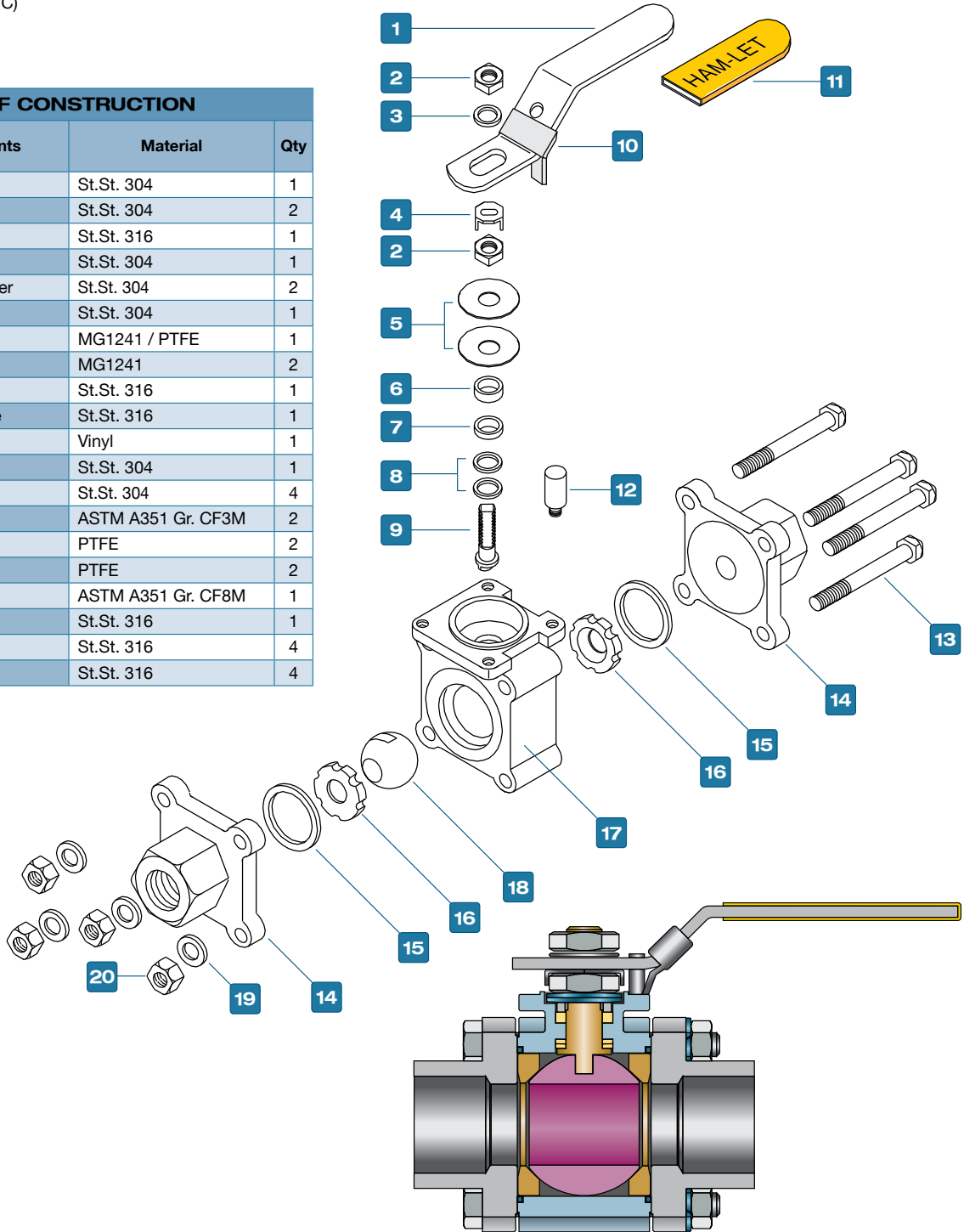
**3-piece heavy-duty ball valves with:**

- Precision Investment cast body in CF8M stainless steel
- Precision Investment cast end caps in CF3M stainless steel
- Blow-out proof stem with Belleville washer design for long life stem sealing
- ISO 5211 Mounting Pad for automation
- Manual Operation with integral locking device
- Flow coefficient (Cv) from 1.2 to 24.0
- MAWP 3000 psig (204 Bar)
- MAWT 450°F (232°C)

MATERIALS OF CONSTRUCTION			
No.	Components	Material	Qty
1	Handle	St.St. 304	1
2	Stem Nut	St.St. 304	2
3	Stem Washer	St.St. 316	1
4	Lock Saddle	St.St. 304	1
5	Belleville Washer	St.St. 304	2
6	Gland	St.St. 304	1
7	Stem Packing	MG1241 / PTFE	1
8	Stem Seal	MG1241	2
9	Stem	St.St. 316	1
10	Locking Device	St.St. 316	1
11	Handle Sleeve	Vinyl	1
12	Stop Pin	St.St. 304	1
13	Tightening Bolt	St.St. 304	4
14	End Cap	ASTM A351 Gr. CF3M	2
15	Joint Gasket	PTFE	2
16	Seat	PTFE	2
17	Body	ASTM A351 Gr. CF8M	1
18	Ball	St.St. 316	1
19	Washer	St.St. 316	4
20	Bolt Nut	St.St. 316	4

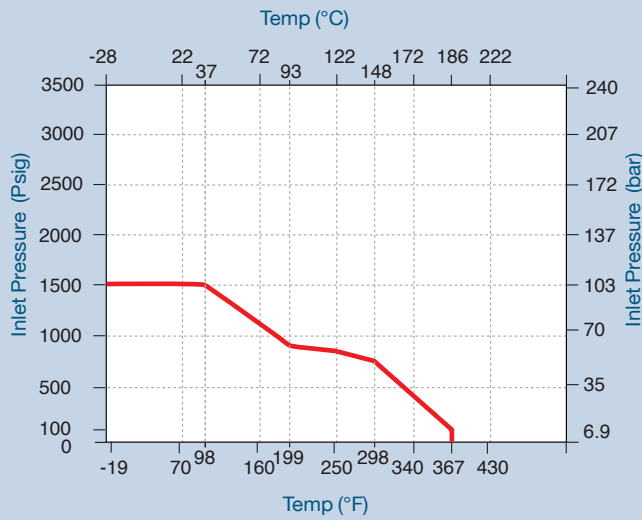
**GENERAL**

The H-500 Series is a moderate-pressure instrumentation Ball Valve for general service and instrumentation panels. The valves offer large ports for high flow, tight shutoff, long-life service and low operating torque. The H-500 Series can be used for bi-directional flow, is rated to max. 3000 psig (204 Bar) and performs on/off service.



**PRESSURE TEMPERATURE RATING**

**Virgin PTFE Seats**

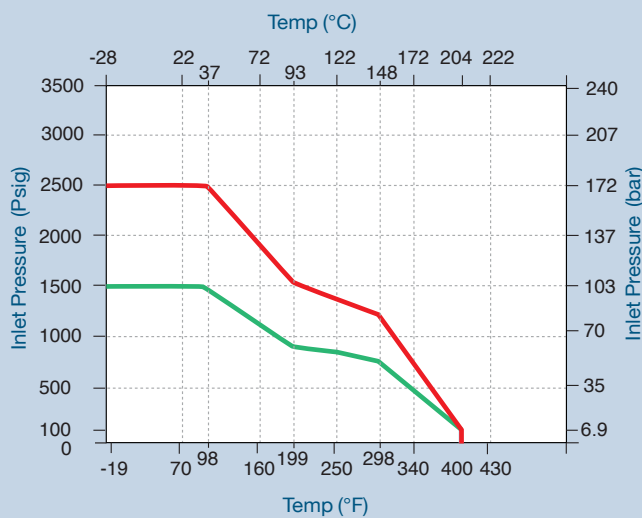


**PTFE (Virgin Teflon®)**  
Color - White

A good all around, general-purpose seat material. PTFE has outstanding resistance to chemical attack by a broad range of organic chemicals, inorganic chemicals and solvents, and is generally considered chemically inert. PTFE is a self lubricating polymer with a very low coefficient of friction, which makes an excellent seat material.

— For all sizes

**TFM®1600 - PTFE Seats**



**TFM®1600 - (PFA and PTFE composite)**  
Color - Bright White

Excellent seat material for purity applications, very low residual material during operation. It has lower deformation ratio than PTFE, but higher pressure and temperature rating than PTFE. Chemical resistance is equal to PTFE material.

— 1/4" to 1"  
— 1-1/4" to 2"

## THREE-PIECE BALL VALVES H-500 SERIES

### PACKING ADJUSTMENT

Due to the varied service applications of the valve, packing adjustment may occasionally be necessary. Packing is factory adjusted to 1000 psig service. Initial packing adjustment is recommended after installation and prior to start-up. Please find more information on H-500 under Installation Instructions.

**HAM-LET Ball Valves are designed for operation in the fully closed or fully open position.**

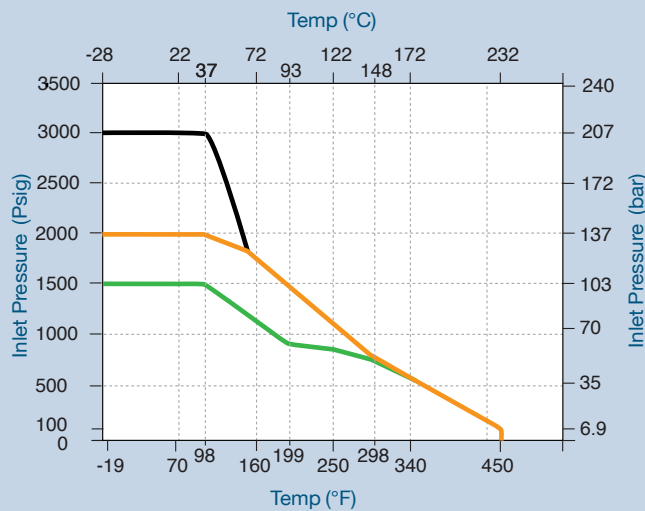
### TESTING

The H-500 Series Ball Valves design has been tested for Proof and Burst. Every H500 Ball Valve is factory tested with nitrogen at 1000 psi (69 bar). Maximum allowable leakage across seat is 0.1 std cc/min.

### CLEANING & PACKAGING

HAM-LET's H-500 Ball Valve is treated with HAM-LET Passivation Cleaning and Packaging (Procedure 8075). Oxygen Cleaning and Packaging (Procedure 8055) is available as an option.

#### St. St. Powder 50% Filled PTFE Seats



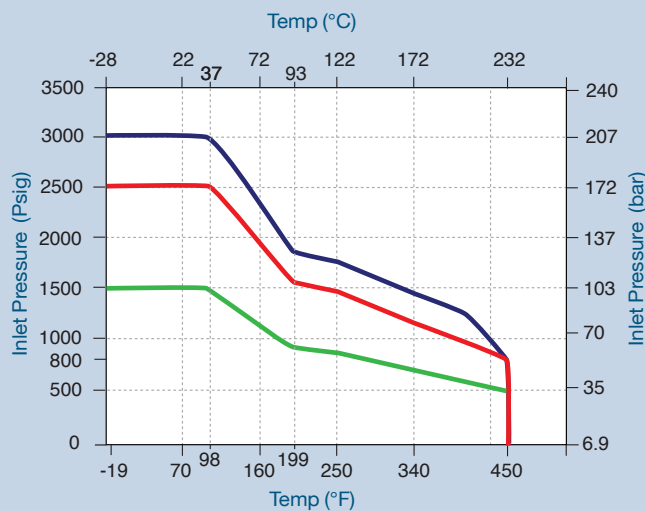
#### St. St. Powder Filled PTFE

Color - Gray

Excellent seat material for general applications to prevent over expansion and seat extrusion. It has lower deformation ratio than PTFE, but higher pressure and temperature rating. Chemical resistance is equal to PTFE material.

- Up to 1/2"
- 3/4" to 1"
- 1-1/4" to 2"

#### PEEK Seats

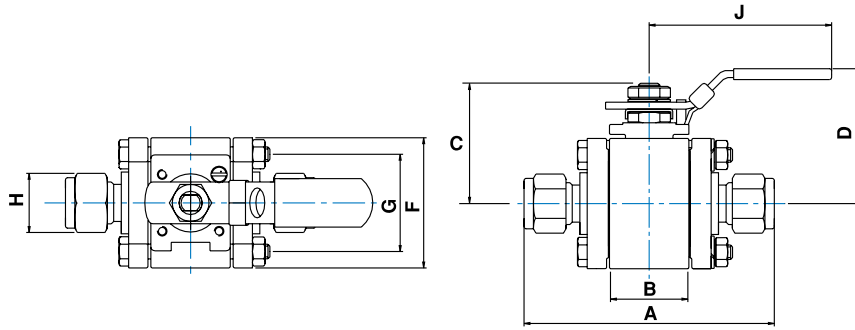


#### PEEK (Poly Ether Keton)

Color - Offwhite

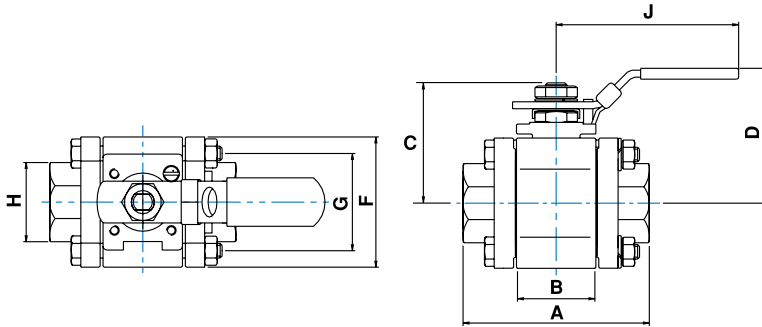
Excellent seat material for high-pressure and high-temperature applications. Excellent chemical resistance. Can be used continuously to 450°F (232°C) and in hot water or steam without permanent loss in physical properties. High strength for hostile environment and high pressure.

- Up to 1/2"
- 3/4" to 1"
- 1-1/4" to 2"



**H-500 LET-LOK STANDARD CONFIGURATION DIMENSIONS**

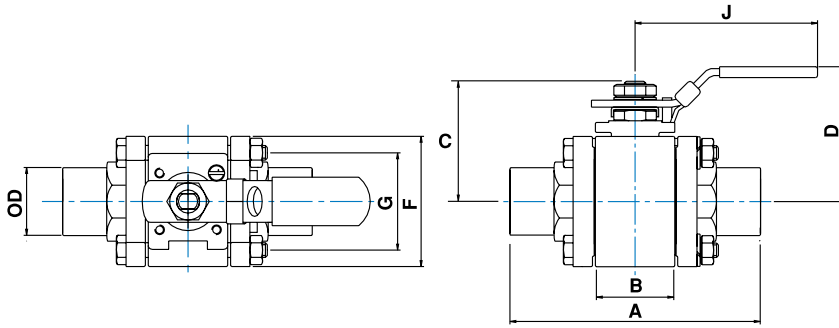
VALVE SIZE		Orifice		Cv	Ball ID		A		B		F		C		D		H		J		G	
mm	inch	mm	inch		mm	inch	mm	inch	mm	inch	mm	inch	mm	inch	mm	inch	mm	inch	mm	inch	mm	inch
6	1/4"	4.8	0.19	1.2	11.0	0.43	80.5	3.17	20.6	0.81	44.4	1.75	40.5	1.59	56.5	2.22	14.3	0.56	121.5	4.78	32.0	1.26
10	3/8"	7.1	0.28	3.8	11.0	0.43	83.3	3.28	20.6	0.81	44.4	1.75	40.5	1.59	56.5	2.22	17.5	0.69	121.5	4.78	32.0	1.26
12	1/2"	10.3	0.40	7.6	11.0	0.43	92.3	3.63	20.6	0.81	44.4	1.75	40.5	1.59	56.5	2.22	22.2	0.87	121.5	4.78	32.0	1.26
20	3/4"	13.0	0.51	13.6	14.1	0.56	92.7	3.65	24.6	0.97	50.8	2.00	44.0	1.73	60.0	2.36	28.6	1.13	121.5	4.78	38.2	1.50
25	1"	20.0	0.79	36.0	20.0	0.79	124.4	4.90	31.8	1.25	60.0	2.36	56.7	2.23	74.5	2.93	38.1	1.50	151	5.94	44.0	1.73



**H-510 FEMALE NPT / BSPT STANDARD CONFIGURATION DIMENSIONS**

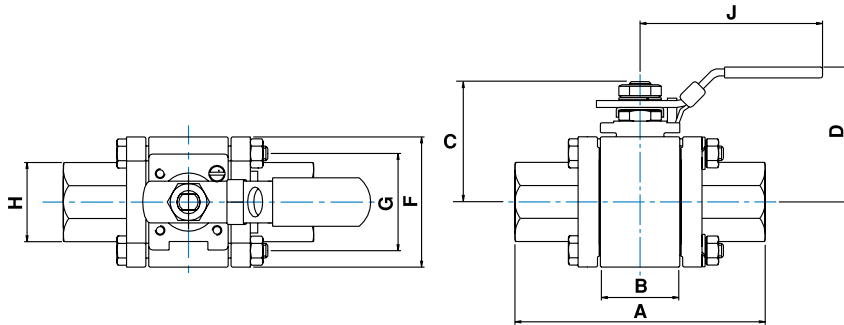
VALVE SIZE	Orifice		Cv	Ball ID		A		B		F		C		D		H		J		G	
	mm	inch		mm	inch	mm	inch	mm	inch	mm	inch	mm	inch	mm	inch	mm	inch	mm	inch	mm	inch
1/4"	11.0	0.43	10	11.0	0.43	70.0	2.76	20.6	0.81	44.4	1.75	40.5	1.59	56.5	2.22	27.0	1.06	121.5	4.78	32.0	1.26
3/8"	11.0	0.43	10	11.0	0.43	70.0	2.76	20.6	0.81	44.4	1.75	40.5	1.59	56.5	2.22	27.0	1.06	121.5	4.78	32.0	1.26
1/2"	11.0	0.43	10	11.0	0.43	70.0	2.76	20.6	0.81	44.4	1.75	40.5	1.59	56.5	2.22	27.0	1.06	121.5	4.78	32.0	1.26
3/4"	14.1	0.56	12.0	14.1	0.56	74.0	2.91	24.6	0.97	50.8	2.00	44.0	1.73	60.0	2.36	33.0	1.30	121.5	4.78	38.2	1.50
1"	20.0	0.79	36.0	20.0	0.79	99.0	3.90	31.8	1.25	60.0	2.36	56.7	2.23	74.5	2.93	42.0	1.65	151	5.94	44.0	1.73

### THREE-PIECE BALL VALVES H-500 SERIES



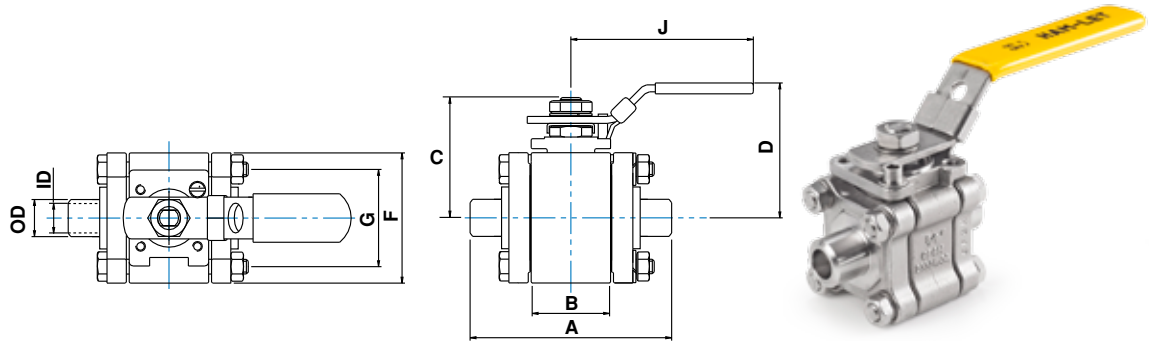
#### H-510 TUBE SOCKET WELD STANDARD CONFIGURATION DIMENSIONS

VALVE SIZE		Orifice		Cv	Ball ID		A		B		F		C		D		OD		J		G	
mm	inch	mm	inch		mm	inch	mm	inch	mm	inch	mm	inch	mm	inch	mm	inch	mm	inch	mm	inch	mm	inch
6	1/4"	4.8	0.19	1.2	11.0	0.43	70.0	2.76	20.6	0.81	44.4	1.75	40.5	1.59	56.5	2.22	20.5	0.81	121.5	4.78	32.0	1.26
10	3/8"	7.1	0.28	3.7	11.0	0.43	70.0	2.76	20.6	0.81	44.4	1.75	40.5	1.59	56.5	2.22	20.5	0.81	121.5	4.78	32.0	1.26
12	1/2"	10.3	0.40	7.5	11.0	0.43	70.0	2.76	20.6	0.81	44.4	1.75	40.5	1.59	56.5	2.22	20.5	0.81	121.5	4.78	32.0	1.26
20	3/4"	14.1	0.56	12.0	14.1	0.56	74.0	2.91	24.6	0.97	50.8	2.00	44.0	1.73	60.0	2.362	27.0	1.06	121.5	4.78	38.2	1.50
25	1"	22.35	0.88	38.0	22.35	0.88	99.0	3.90	31.8	1.25	60.0	2.36	56.7	2.23	74.5	2.93	34.0	1.34	151.0	5.94	44.0	1.73



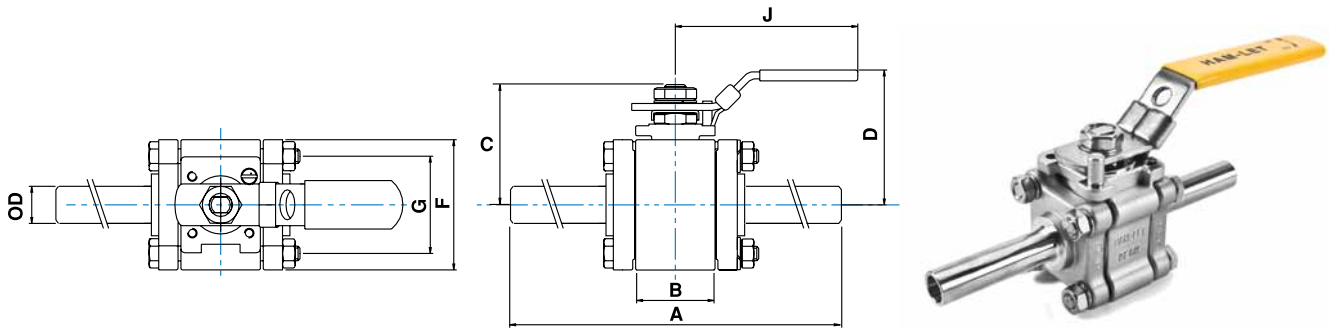
#### H-510 PIPE SOCKET WELD

VALVE SIZE	Orifice		Cv	Ball ID		A		B		F		C		D		H		J		G	
	mm	inch		mm	inch	mm	inch	mm	inch	mm	inch	mm	inch	mm	inch	mm	inch	mm	inch	mm	inch
1/4"	11.0	0.43	10	11.0	0.43	70.0	2.76	20.6	0.81	44.4	1.75	40.5	1.59	56.5	2.22	27.0	1.06	121.5	4.78	32.0	1.26
3/8"	11.0	0.43	10	11.0	0.43	70.0	2.76	20.6	0.81	44.4	1.75	40.5	1.59	56.5	2.22	27.0	1.06	121.5	4.78	32.0	1.26
1/2"	11.0	0.43	10	11.0	0.43	70.0	2.76	20.6	0.81	44.4	1.75	40.5	1.59	56.5	2.22	27.0	1.06	121.5	4.78	32.0	1.26
3/4"	14.1	0.56	12.0	14.1	0.56	74.0	2.91	24.6	0.97	50.8	2.00	44.0	1.73	60.0	2.36	33.0	1.30	121.5	4.78	38.2	1.50
1"	20.0	0.79	36.0	20.0	0.79	99.0	3.90	31.8	1.25	60.0	2.36	56.7	2.23	74.5	2.93	42.0	1.65	151	5.94	44.0	1.73



**H-580 PIPE BUTTWELD STANDARD CONFIGURATION DIMENSIONS**

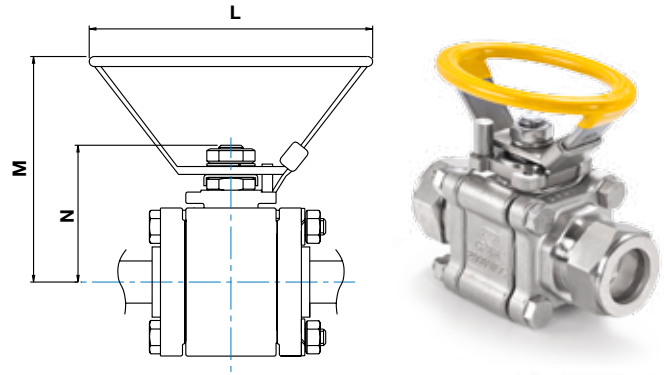
VALVE SIZE	Orifice		Cv	Ball ID		A		B		F		C		D		OD		ID		J		G	
	mm	inch		mm	inch	mm	inch	mm	inch	mm	inch	mm	inch	mm	inch	mm	inch	mm	inch	mm	inch	mm	inch
1/4"	9.2	0.36	7	11.0	0.43	67	2.64	20.6	0.81	44.4	1.75	40.5	1.59	56.5	2.22	13.7	0.54	9.2	0.36	121.5	4.78	32.0	1.26
3/8"	11	0.43	10	11.0	0.43	67	2.64	20.6	0.81	44.4	1.75	40.5	1.59	56.5	2.22	17.1	0.67	12.5	0.49	121.5	4.78	32.0	1.26
1/2"	11	0.43	10	11.0	0.43	67	2.64	20.6	0.81	44.4	1.75	40.5	1.59	56.5	2.22	21.3	0.84	15.8	0.62	121.5	4.78	32.0	1.26
3/4"	14.1	0.56	12	14.1	0.56	72	2.83	24.6	0.97	50.8	2.00	44.0	1.73	60.0	2.36	27.1	1.07	21.0	0.83	121.5	4.78	38.2	1.50
1"	20	0.79	36	20.0	0.79	97	3.82	31.8	1.25	60.0	2.36	56.7	2.23	74.5	2.93	34.1	1.34	26.6	1.05	151	5.94	44.0	1.73



**H-580 EXTENDED AND SHORT TUBE BUTTWELD**

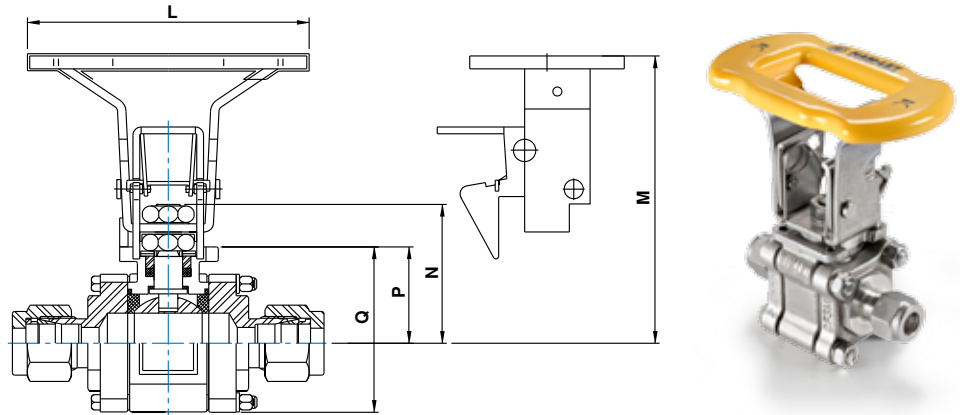
VALVE SIZE		Orifice		Cv	Ball ID		A extended		A short		B		F		C		D		OD		J		G	
mm	inch	mm	inch		mm	inch	mm	inch	mm	inch	mm	inch	mm	inch	mm	inch	mm	inch	mm	inch	mm	inch	mm	inch
6	1/4"	4.4	0.17	1	9.4	0.37	-	-	71.5	2.81	20.6	0.81	44.4	1.75	40.5	1.59	56.5	2.22	6.4	0.25	121.5	4.78	32.0	1.26
10	3/8"	7.7	0.3	3.8	9.4	0.37	-	-	71.5	2.81	20.6	0.81	44.4	1.75	40.5	1.59	56.5	2.22	9.57	0.38	121.5	4.78	32.0	1.26
12	1/2"	9.4	0.37	7	9.4	0.37	140	5.5	-	-	20.6	0.81	44.4	1.75	40.5	1.59	56.5	2.22	12.7	0.5	121.5	4.78	32.0	1.26
20	3/4"	15.75	0.62	18	15.8	0.87	150	5.9	-	-	24.6	0.97	50.8	2.00	44.0	1.73	60.0	2.36	19.05	0.75	121.5	4.78	38.2	1.50
25	1"	22.1	0.87	38	22.35	0.88	161.2	6.35	-	-	31.8	1.25	60.0	2.36	56.7	2.23	74.5	2.93	25.4	1	151	5.94	44.0	1.73

**THREE-PIECE BALL VALVES H-500 SERIES**



**H-500 OVAL HANDLE**

VALVE SIZE	N		L		M	
	mm	inch	mm	inch	mm	inch
1/4", 3/8", 1/2"	40.5	1.6	105.0	4.13	66	2.6
3/4"	44	1.73	105.0	4.13	70	2.75
1"	56.7	2.23	105.0	4.13	88.7	3.49



**H-500 GRIP HANDLE (OVAL)**

VALVE SIZE	L		M		N		P		Q	
	mm	inch	mm	inch	mm	inch	mm	inch	mm	inch
1/4"	104	4.09	94.5	3.72	40.5	1.59	27.5	1.08	49.5	1.95
3/8"	104	4.09	94.5	3.72	40.5	1.59	27.5	1.08	49.5	1.95
1/2"	104	4.09	94.5	3.72	40.5	1.59	27.5	1.08	49.5	1.95
3/4"	104	4.09	98	3.86	44	1.73	30.5	1.2	56	2.2



**H-500 - PNEUMATIC ACTUATED VALVES**

**FEATURES**

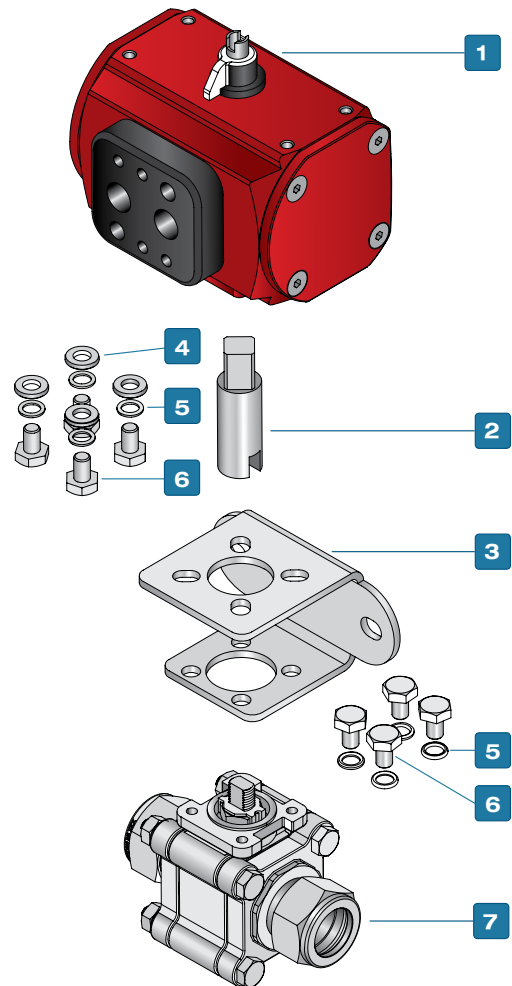
- 90° Actuation for 2-way valves (Straight & Angle)
- Actuators comply with industry standards for interface with ISO 5211, NAMUR and VDI/VDE 3845
- Actuated valves are available factory assembled or separately, actuator and mounting kits
- Limit switches, proximity sensors, position indicators, pilot valves and other accessories are available upon request
- Standard Temperature range: -32°C to 90°C (-25.6°F to 194°F)  
Optional: High Temperature, Low Temperature

**GENERAL**

Four standard actuator sizes are available upon request: Mini (designator "A1"), Small (designator "A2"), Medium (designator "A3"), and Large (designator "A4"). Improved operational speed enables better valve opening and closing control. ATEX certification of Valves-Actuators' assemblies are available on request at the time of order quotation.

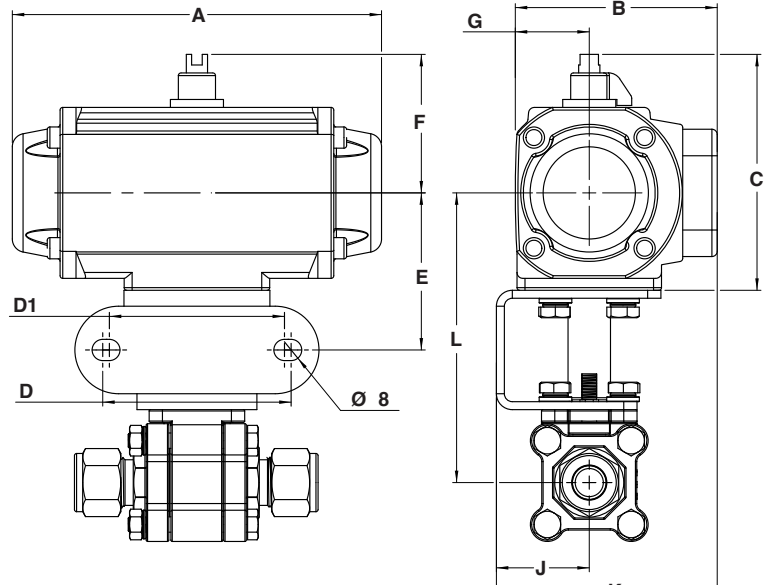
**MATERIAL OF CONSTRUCTION**

No.	Part	Qty	Material
1	Actuator	1	AL 356-T5
2	Coupling	1	St.St.316
3	Bracket	1	St.St.304
4	Washer Flat	4	St.St.304
5	Washer Spring	8	St.St.304
6	Screw	8	St.St.304
7	H500	1	St.St.316



**THREE-PIECE BALL VALVES H-500 SERIES**

**DIMENSIONS FOR ASSEMBLED ACTUATORS- H-500 SERIES**



Series	Body Designator	Ends Size	Seats Material	Actuator Model	Units	A	B	C	D	D1	E	F	G	J	K	L				
<b>H-500</b>	<b>1/2</b>	<b>1/4 -1/2 (6mm-12mm)</b>	PTFE TFM 1600	SR	A2S	mm	140.2	76.1	88.6	71	66	59.7	51.8	27.9	35	83.2	109.2			
						inch	5.52	3.0	3.49	2.8	2.6	2.35	2.04	1.1	1.38	3.27	4.3			
				DA	A1	mm	76.8	76.1	84.1	71	66	54.7	51.8	27.9	35	83.2	104.7			
						inch	3.02	3.0	3.31	2.8	2.6	2.15	2.04	1.1	1.38	3.27	4.12			
			St.St. PTFE	SR	A2S	mm	140.2	76.1	88.6	71	66	59.7	51.8	27.9	35	83.2	109.2			
						inch	5.52	3.0	3.49	2.8	2.6	2.35	2.04	1.1	1.38	3.27	4.3			
				DA	A2	mm	101	76.1	88.6	71	66	54.7	51.8	27.9	35	83.2	109.2			
						inch	3.97	3.0	3.49	2.8	2.6	2.15	2.04	1.1	1.38	3.27	4.3			
			PEEK	SR	A4S*		-	-	-	-	-	-	-	-	-	-	-	-	-	
				DA	A3	mm	152.3	84.1	111.3	71	66	65.7	68.1	31.9	44	96.2	115.7			
					inch	6.0	3.31	4.38	2.8	2.6	2.58	2.68	1.25	1.73	3.79	4.55				
			<b>3/4</b>	<b>3/4 (18mm)</b>	PTFE	SR	A2S	mm	140.2	76.1	88.6	71	66	59.7	51.8	27.9	35	83.2	112.5	
	inch	5.52						3.0	3.49	2.8	2.6	2.35	2.04	1.1	1.38	3.27	4.43			
	DA	A2					mm	101	76.1	88.6	71	66	54.7	51.8	27.9	35	83.2	112.5		
							inch	3.97	3.0	3.49	2.8	2.6	2.15	2.04	1.1	1.38	3.27	4.43		
	TFM 1600	SR				A2S	mm	140.2	76.1	88.6	71	66	59.7	51.8	27.9	35	83.2	112.5		
							inch	5.52	3.0	3.49	2.8	2.6	2.35	2.04	1.1	1.38	3.27	4.43		
		DA				A1	mm	76.8	76.1	84.1	71	66	54.7	51.8	27.9	35	83.2	108		
							inch	3.02	3.0	3.31	2.8	2.6	2.15	2.04	1.1	1.38	3.27	4.25		
	St.St. PTFE	SR				A3S	mm	152.3	84.1	111.3	71	66	65.7	68.1	31.9	44	96.2	119		
							inch	6.0	3.31	4.38	2.8	2.6	2.58	2.68	1.25	1.73	3.79	4.68		
		DA				A2	mm	101	76.1	88.6	71	66	54.7	51.8	27.9	35	83.2	112.5		
							inch	3.97	3.0	3.49	2.8	2.6	2.15	2.04	1.1	1.38	3.27	4.43		
	PEEK	SR			A4S*		-	-	-	-	-	-	-	-	-	-	-	-		
		DA			A4*		-	-	-	-	-	-	-	-	-	-	-	-		
	<b>1</b>	<b>1 (25mm)</b>			PTFE	SR	A3S	mm	152.3	84.1	111.3	71	66	65.7	68.1	31.9	44	96.2	125.7	
								inch	6.0	3.31	4.38	2.8	2.6	2.58	2.68	1.25	1.73	3.79	4.95	
						DA	A3	mm	152.3	84.1	111.3	71	66	65.7	68.1	31.9	44	96.2	125.7	
								inch	6.0	3.31	4.38	2.8	2.6	2.58	2.68	1.25	1.73	3.79	4.95	
						TFM 1600	SR	A2S	mm	140.2	76.1	88.6	71	66	59.7	51.8	27.9	35	83.2	119.2
									inch	5.52	3.0	3.49	2.8	2.6	2.35	2.04	1.1	1.38	3.27	4.7
					DA		A1	mm	76.8	76.1	84.1	71	66	54.7	51.8	27.9	35	83.2	114.7	
								inch	3.02	3.0	3.31	2.8	2.6	2.15	2.04	1.1	1.38	3.27	4.51	
					St.St. PTFE	SR	A4S*		-	-	-	-	-	-	-	-	-	-	-	
								DA	A3	mm	152.3	84.1	111.3	71	66	65.7	68.1	31.9	44	96.2
						inch	6.0	3.31	4.38	2.8	2.6	2.58	2.68	1.25	1.73	3.79	4.95			
PEEK			SR	A4S*			-	-	-	-	-	-	-	-	-	-	-			
	DA	A4*		-	-	-	-	-	-	-	-	-	-	-						

\*For A4 Actuator technical data, please contact your local representative.

**ACTUATED H-500 SERIES**

H-500 Three Piece Ball Valves features, materials of construction, and technical data, are available in Ham-Let valves catalog.

Selection of Valve-Actuator assemblies provided herein is based on:

- Valve maximum allowable working pressure
- Ambient temperature (50 to 100°F / 10 to 37°C)
- Actuator fits to valve based on operating pressure of 6 bar, as per table.

To order H-500 ball valve factory assembled with an actuator, the actuator designator shall be added to the valve part number/description per the below table. For example:

**H-500-SS-L-3/4-T** with standard Double Acting Aluminum Actuator

**H-500-SS-L-3/4-T-A2**

To order an actuator and mounting kit for field assembly:

Spring Return Actuator ordering number: **Z-A2**

Corresponding mounting kit: **Z-500-MK-3/4 -F03-F04**

**Please contact your local representative for the following:**

- For ordering information on Lubricant Free Actuated Valves
- For technical data for valves with a large actuator (designator "A4")

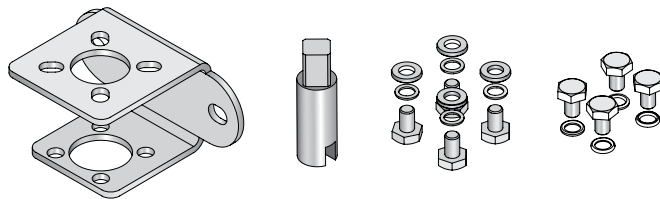


Table 3: Ordering information for Actuated Valves

Series	Ends Size	Seats	Minimum Actuator Operating Pressure Bar (Psi)	Actuator Designators (Factory Assembled)		Actuator Ordering Code		Mounting Kit Ordering Info	
				Spring Return		Double Acting	Spring Return		Double Acting
				NO	NC				
<b>H-500</b>	<b>1/4 -1/2 (6 mm-12 mm)</b>	PTFE	5 (72.5)	A20	A2C	A1	Z-A2S	Z-A1	Z-500-MK-1/2"-F03-F04
		TFM 1600	5 (72.5)	A20	A2C	A1	Z-A2S	Z-A1	Z-500-MK-1/2"-F03-F04
		St.St. PTFE	5 (72.5)	A20	A2C	A2	Z-A2S	Z-A2	Z-500-MK-1/2"-F03-F04
		PEEK	5 (72.5)	A40	A4C	A3	Z-A4S	Z-A3	SR: Z-500-MK-1/2"-F05-F07 DA: Z-500-MK-1/2"-F04-F05
	<b>3/4 (20 mm)</b>	PTFE	5 (72.5)	A20	A2C	A2	Z-A2S	Z-A2	Z-500-MK-3/4"-F03-F04
		TFM 1600	5 (72.5)	A20	A2C	A2	Z-A2S	Z-A2	Z-500-MK-3/4"-F03-F04
		St.St. PTFE	5 (72.5)	A30	A3C	A2	Z-A3S	Z-A2	SR: Z-500-MK-3/4"-F04-F05 DA: Z-500-MK-3/4"-F03-F04
		PEEK	5 (72.5)	A40	A4C	A4	Z-A4S	Z-A4	Z-500-MK-3/4"-F05-F07
	<b>1 (25 mm)</b>	PTFE	5 (72.5)	A30	A3C	A3	Z-A3S	Z-A3	Z-500-MK-1"-F04-F05
		TFM 1600	5 (72.5)	A30	A3C	A3	Z-A3S	Z-A3	Z-500-MK-1"-F04-F05
		St.St. PTFE	5 (72.5)	A40	A4C	A3	Z-A4S	Z-A3	SR: Z-500-MK-1"-F05-F07 DA: Z-500-MK-1"-F04-F05
		PEEK	5 (72.5)	A40	A4C	A4	Z-A4S	Z-A4	Z-500-MK-1"-F05-F07

**Ham-Let ISO 5211 mounting kits for H-500 Series contain:**

Part	Qty	Material
Coupling	1	St.St 316
Bracket	1	St.St 304
Screw	8	St.St 304
Washer spring	8	St.St 304
Washer flat	4	St.St 304
Panel nut	1	St.St 316
Mounting instructions	-	-



**Note:** Mounting Kit ordering Information describes interface per ISO 5211. for example: Z-500-MK-3/4-F03-F04 complies with : ISO 5211 flange types F03-F04

H-500 SERIES ORDERING INFORMATION

OPTIONAL

**H-5** **00** - **SS** - **L** - **1/4** - [ ] [ ] [ ] [ ]

**Valve Series**

**Valve Type**

00	LET-LOK® ends
10	Female ends
80	Male ends
85	Male to Female ends
90	Female to LET-LOK® ends
95	Male to LET-LOK® ends

**End Connection Size**

1/4	6 MM
3/8	10 MM
1/2	12 MM
3/4	20 MM
1"	25 MM

**Handle**

BLANK	Lever Handle
OH	Oval Handle
GH	Grip Handle

\* all Handles are with locking device standard

**Actuator Type**

Select Per Table 3	Aluminum Actuator*
--------------------	--------------------

\*See Notes below

**Structure Material**

SS	St.St.316
----	-----------

**End Cups** - ASTM A351 Gr. CF3M  
**Body** - ASTM A351 Gr. CF8M

**Seat Material**

BLANK	PTFE
T	TFM®1600
E	St.St. Filled PTFE
PK-	PEEK

**Treatments**

BLANK	Standard Cleaning & Passivation
OC	Oxygen Clean
LF	Lubricant Free

**End Connection Type**

L	LET-LOK®
HL	ONE-LOK®
N	NPT
R	ISO Tapered
TSW	Tube socket weld
TBW	Tube butt weld
XTBW	Extended Tube butt weld
PSW	Pipe socket weld
PBW	Pipe butt weld sch 40

**For Actuated Valves**

- If special cleaning is required, LF / OC will be added in the end, and will refer to the Valve only.  
For example: **H - 500- SS - L - 3/4 - T - A2 - OC**
- For ordering information of actuators for high temperature please refer to Ham-Let Pneumatic Actuator Catalog.
- For double mounting actuators, please contact your local representative.
- Actuators Accessories (Limit Switch, Solenoid Valve please refer to Ham-Let Pneumatic Actuator Catalog.
- For Stainless Steel Actuator or Electric Actuator please contact your local representative.

ORDERING INFORMATION FOR SEAL KITS

The kit includes gaskets, seats, stem packing and stem seal.

**Z - 500 - SK - 1/4 - P**

**Body Designator per End Connections**

1/2	For 1/4, 1/2, 3/8, 6MM, 10MM, 12MM
3/4	For 3/4, 20MM
1"	For 1", 25MM

**Seal Material**

P	PTFE
T	TFM®1600
E	St.St. Filled PTFE
PK-	PEEK

ORDERING INFORMATION FOR HANDLE KITS

**Z - 500 - HK - 1/4 - LH**

**Body Designator per End Connections**

1/2	For 1/4, 1/2, 3/8, 6MM, 10MM, 12MM
3/4	For 3/4, 20MM
1"	For 1", 25MM

**Handle**

LH	Lever Handle
OH	Oval Handle
GH	Grip Handle

\* all Handles are with locking device standard

**Warning** Select the right component for safety's sake: The total design of the system must be taken into consideration when selecting components in order to ensure that your HAM-LET products provide safe, trouble-free operation. It is the responsibility of the system designer and the user to consider the compatibility of the materials, of the components and system, the function of the component, appropriate ratings and to ensure proper installation, operation and maintenance. Improper selection or use of products can cause property damage or personal injury, in respect of which the system designer and/or the user shall be solely liable and responsible.

**ORDERING INFORMATION FOR SEAL KITS**

The kit includes gaskets, seats, stem packing and stem seal.

**Z - 500 - SK - 1/4 - P**

Body Designator per End Connections		Seal Material	
<b>1/2</b>	For 1/4, 1/2, 3/8, 6MM, 10MM, 12MM	<b>P</b>	PTFE
<b>3/4</b>	For 3/4, 20MM	<b>T</b>	TFM®1600
<b>1"</b>	For 1", 25MM	<b>E</b>	St.St. Filled PTFE
		<b>PK</b>	PEEK

**ORDERING INFORMATION FOR HANDLE KITS**

**Z - 500 - HK - 1/4 - LH**

Body Designator per End Connections		Handle	
<b>1/2</b>	For 1/4, 1/2, 3/8, 6MM, 10MM, 12MM	<b>LH</b>	Lever Handle
<b>3/4</b>	For 3/4, 20MM	<b>OH</b>	Oval Handle
<b>1"</b>	For 1", 25MM	<b>GH</b>	Grip Handle

\* all Handles are with locking device standard